



Instruction Manual PC-6WM-EB

Ceiling Mount Speaker

■ DESCRIPTION

Designed for simple installation. The TOA PC-6WM-EB Ceiling Mount Speaker is of all metallic construction and small diameter.

Using spring clips the unit can be quickly installed in a ceiling.

The input impedance can be easily changed by changing the connecting terminal.

■ SAFETY PRECAUTIONS

Be sure to follow at the precautionary instructions in this section, which contain important warnings and/or cautions regarding safety.



WARNING

Indicates a potentially hazardous situation which, if mishandled, could result in death or serious personal injury.

- Install the speaker only in a location that can structurally support the weight of the speaker and the mounting bracket.
- Tighten all thumb screws securely.
- Do not install the speaker in outdoor or place near the sea and indoor swimming pool. The parts are corroded, causing the speaker to fall.



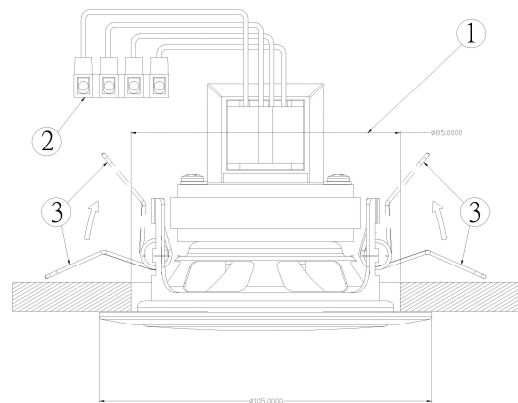
CAUTION

Indicates a potentially hazardous situation which, if mishandled, could result in moderate or minor personal injury, and/or property damage.

- Do not touch the sharp edge of metal fittings.
- To avoid electric shocks, be sure to switch off the amplifier power when connecting the speaker.

■ INSTALLATION

1. Cutting a $\phi 85\text{mm} +5\text{ mm}$ hole.
2. Connecting the input and output cable to transformer terminal.
3. Pluck the spring up then the speaker will be fixture on ceiling.

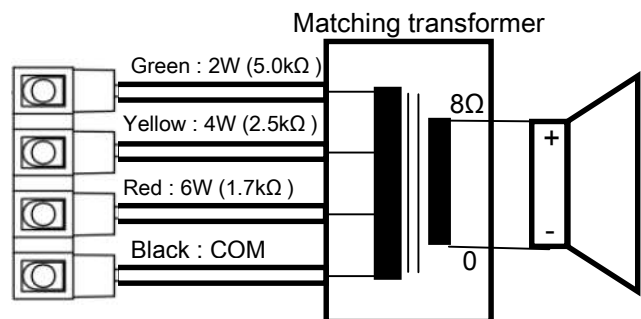


■ IMPEDANCE CHANGE

There are four wires (Red:6W, Yellow:4W, Green:2W and Black:Com.). Please connect the speaker cables based on your preferable wattage.

Power Rating	6W	4W	2W
Wire Color	Red	Yellow	Green
Impedance	1.7k Ω	2.5k Ω	5k Ω

■ WIRING DIAGRAM



Traceability Information for EU (EMC directive 2004/108/EC); manufacturer:

TOA Electronics Europe GmbH

Süderstraße 282 ♦ 20537 Hamburg ♦ Germany

Tel.: +49-(0)40-25 17 19-0 ♦ Fax: +49-(0)40-25 17 19-98 ♦ URL: www.toa.eu